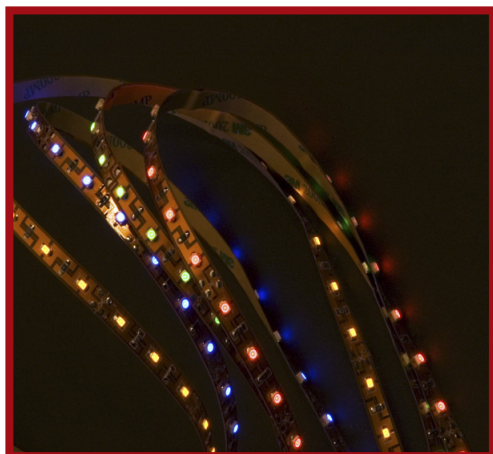
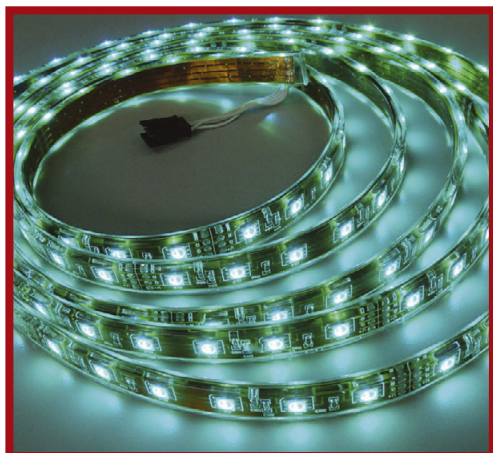


# Waterproof IPLED Flex RGB 12V



IPLED Flex RGB waterproof adopts Chip RGB Led as its luminous body which is of high intensity and large viewing angle. The chips for this LED are from famous international company. The waterproof craft not only makes the product wholly waterproof but also keeps the ribbon flexible and easy-curved. Ribbons could be connected via mini waterproof connectors. Three LEDs make one group and each group can be cut according to the length requirement. If requested, a wiring bridge can be set in the middle to enable the ribbon can be easily connected after cutting. This ribbon can be controlled by DMX 512 controlling system to realize the effects of multi-color jumping, gradual color changing, etc. It also can be controlled by IPLED mini rgb controller to realize whole color changing. It is mainly used for indoor & outdoor decoration, such as small flood-light, cove lighting, edge lighting decoration, etc.

#### Specifications:

Part No.: IPLED Flex RGB  
Size: 3000 x 14 x 5mm  
Led Spacing: 33mm  
Weight: 260g  
Beaming Angle: >120°

#### Electric Specifications:

IP class: IP67  
Input Voltage: 12VDC  
Power Consumption: 0.72W\*3  
Maximum Length of One Loop: 5 meter  
Low voltage, 12 VDC, high brightness  
Power Supply: 30W, 60W, 100W and 150W  
Package: 3 meter/reel  
Green, Energy Saving  
Conforming to International Standard  
Absolutely safe and stable  
Save 90% electricity compared to traditional lights :

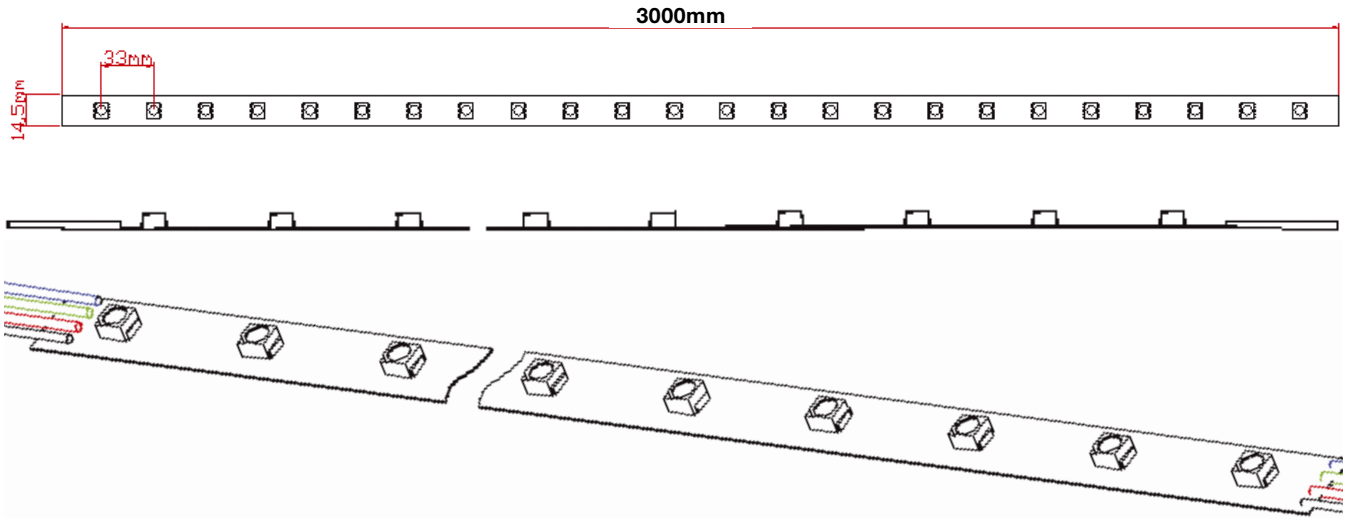
#### Longevity of Luminous Body:

All LED lights adopt super bright LED as their luminous body. Theoretically, the longevity of LED could be 50,000-100,000 MTBF (Mean Time between Failure: average fault-free time, the standard usually measured by manufacturer of traditional lights). Like traditional lighting products, the lumen of LED will also decrease as time goes on. LED lumen is influenced by environmental factors such as temperature, humidity, and ventilation condition. It also could be impacted by its design on heat sinking, current control, etc. To some extent, these factors are the main ones on LED longevity.

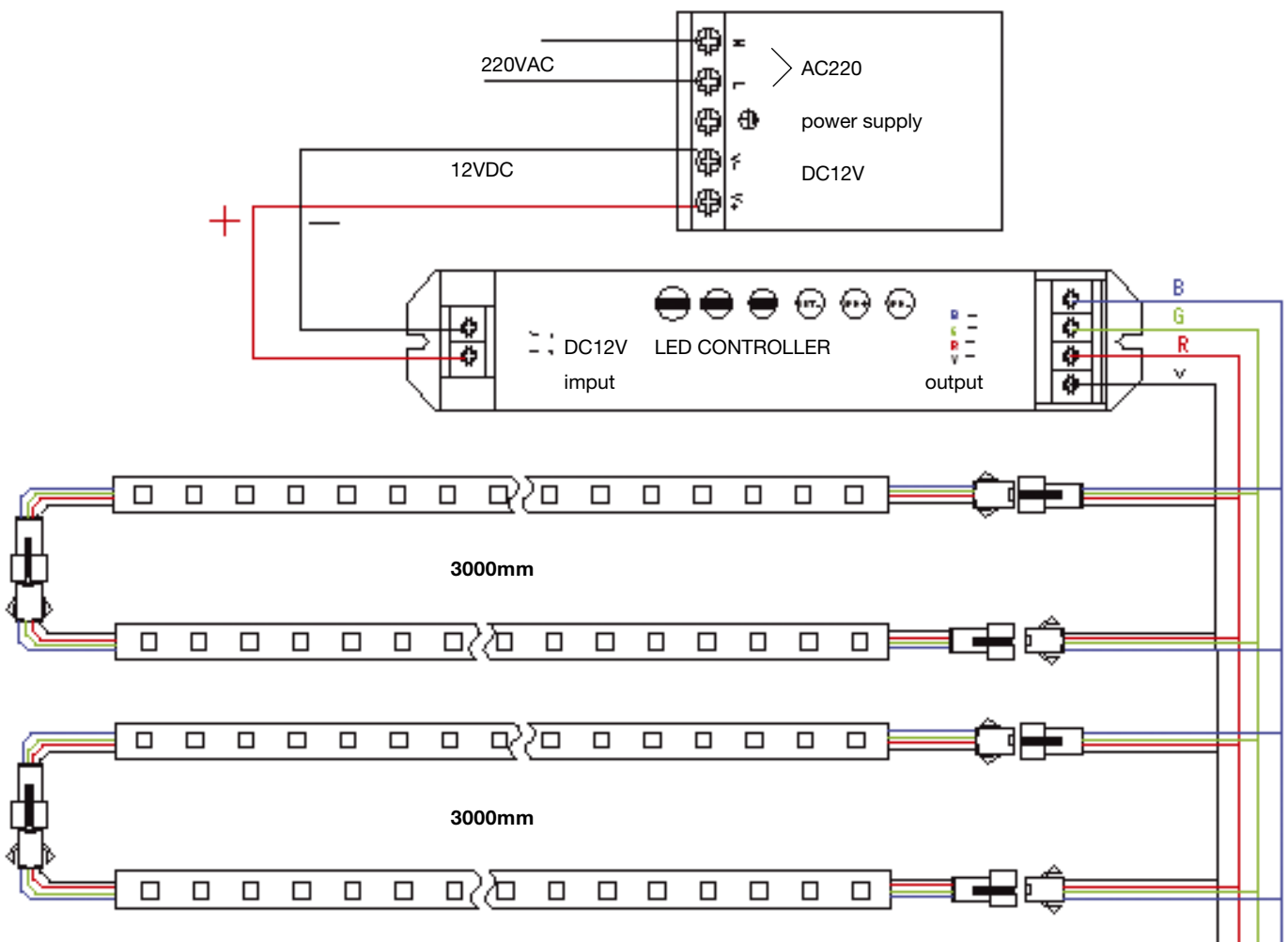


# Waterproof IPLED Flex RGB 12V

Top view, side view and top-side view



Connecting Diagram of Mini Waterproof Connectors



**Attention**

To ensure the longevity and stability of the ribbon, please do not curve it at the diameter below 40 mm. No folding.



**Warning**

Do not touch input port when power is on. Please leave 20% power free to protect the brightness of ribbon from being influenced by environments. Please note the negative and positive polarity when you link wires of power supply to avoid short circuit. Make sure the output voltage of power supply is the same with CHIP RGB Crystal Ribbon's operating voltage