

Non-waterproof Switching Power Supply 250W series



Features:

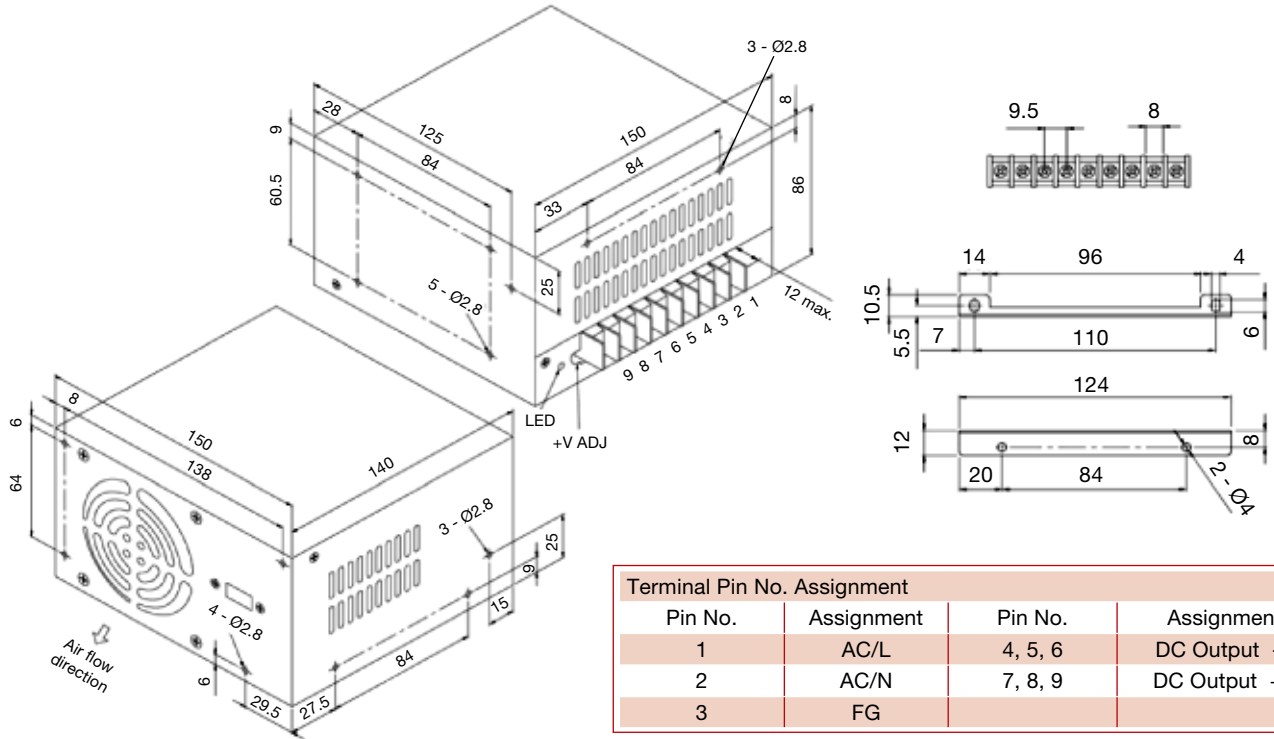
- 1 AC input range selected by switch
- 2 Protections: Short circuit / Overload / Over voltage
- 3 Forced aircooling by built-in DC fan
- 4 100% full load burn-in test
- 5 Fixed switching frequency at 60 KHz
- 6 Low cost
- 7 High Reality
- 8 2 years warranty
- 9 Size: 150x140x86mm

model		S-250-5	S-250-12	S-250-15	S-250-24	S-250-27	S-250-48	
output	DC Voltage	5 V	12 V	15 V	24 V	27 V	48 V	
	Rated Current	40 A	18 A	15 A	10 A	9 A	5.2 A	
	Current Range	0 - 40 A	0 - 18 A	15 A	0 - 10 A	0 - 9 A	0 - 5.2 A	
	Rated Power	220 W	216 W	225 W	240 W	243 W	249 W	
	Ripple & Noise (note 2)	80mVp-p	120mVp-p	120mVp-p	120mVp-p	150mVp-p	200mVp-p	
	Voltage Adj. Range	4.75 - 5.5 V	10.8 - 13.2 V	13.5 - 16.5 V	21.6 - 25.4 V	24.3 - 29.7 V	43.2 - 52.8 V	
	Voltage Tolerance (note 3)	2.0 %	1.0 %	1.0 %	1.0 %	1.0 %	1.0 %	
	Line Regulation	0.5 %	0.5 %	0.5 %	0.5 %	0.5 %	0.5 %	
	Load Regulation	1.0 %	0.5 %	0.5 %	0.5 %	0.5 %	0.5 %	
	Setup, Rise Time	800 ms, 50 ms at full load						
	Hold Time (typ.)	19 ms at full load						
Input	Voltage Range	90 - 132 VAC / 176 VAC Selected by switch / 248 - 370 VDC						
	Frequency Range	47 - 63 Hz						
	Efficiency (typ.)	74 %	79 %	80 %	81,5 %	82 %	82 %	
	AC Current (typ.)	4.8 A / 115 VAC - 2.8 A / 230 VAC						
	Inrush Current (typ.)	Cold Start 45 A / 230 VAC						
	Leakage Current	< 2 mA / 240 VAC						
Protection	Over Load	105 - 135 % rated output power Protection type: Hiccup mode, recovers automatically after fault condition is removed						
	Over Voltage	5.75 - 6.75 V	13.8 - 16.2 V	17.25 - 20.25 V	27.6 - 32.4 V	31.05 - 36.45 V	55.2 - 64.8 V	
Environment	Working temp.	-10 - +85°C (Refer to output load derating curve)						
	Working Humidity	20 - 90% RH non-condensing						
	Storage Temp., Humidity	-20 - +85°C, 10 - 95% RH						
	Temp. Coefficient	0.03% / °C (0 - 50 °C)						
	Vibration	10 - 500 Hz, 2G 10 min / 1 cycle, 60 min. each along X, Y, Z axes						
Safety & EMC	Safety Standards	UL60950-1 approved						
	Withstand Voltage	I/P- O/P: 3 KVAC I/P - FG: 1.5 KVAC O/P - FG: 0.5 KVAC						
	Isolation Resistance	I/P - O/P, I/P - FP, O/P - FG: 100M Ohms/500 VDC						
Others	MTBF	238.9 K hrs min. MIL - HDBK - 217 F (25°C)						
	Dimension	150 x 140 x 86 mm (L x W x H)						
	Packing	1.3 Kg; 8 pcs / 11 KG / 0.9 CUFT						
Note	1. All parameters NOT specially mentioned are measured at 230 VAC input, rated load and 25°C of ambient temperature 2. Ripple & noise are measured at 20 MHz of bandwidth by using a 12" twisted pair-wire terminated with a 0.1 uf & 47 uf parallel capacitor. 3. Tolerance: includes set-up tolerance, line regulation and load regulation.							

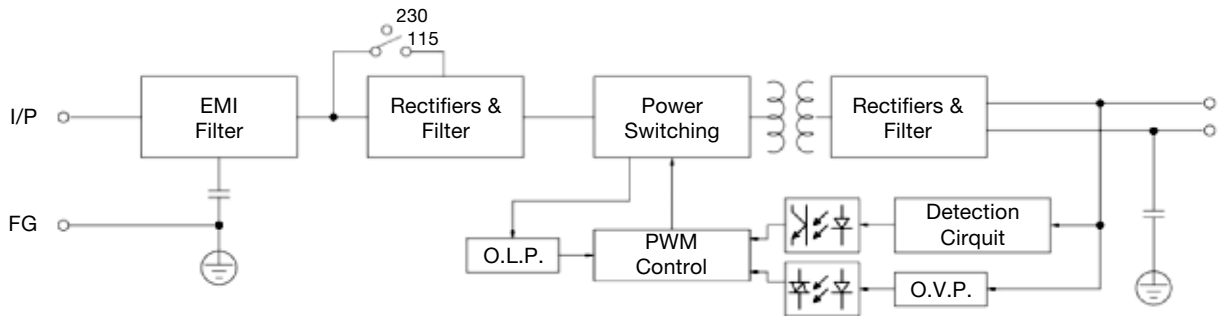


Waterproof Switching Power Supply 250W/12VDC

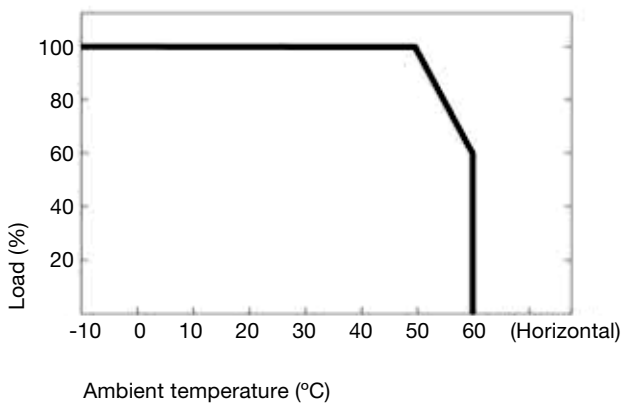
Mechanical specification (unit: mm)



Block diagram (fosc: 60 KHz)



Derating curve



Static characteristics

