

RGB Mini Controller



Product specifications:

- 1 Under the control of wireless, the effective remote control distance is 50 meters.
- 2 3 channel RGB control, the max current of each channel up to 5A.
- 3 Multi-Mode to select.
- 4 Stays at chosen color
- 5 8 scale speed

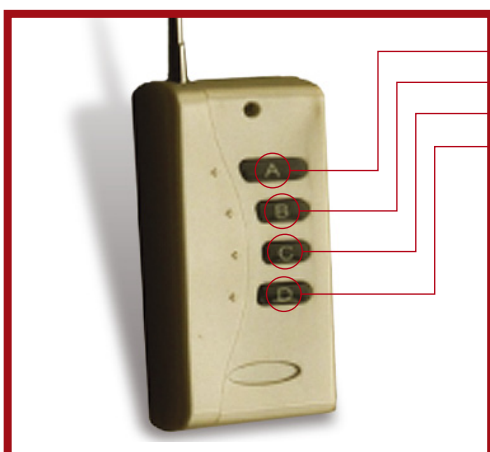
Application Sites:

- 1 Building Decoration: Business spaces, airports, subway.
- 2 Indoor Decoration: Lighting and back lighting for hospital, hotel, marketplace, square, Dining room, pub and etc
- 3 AD solid Word, sign and mark, signboard and billboard
- 4 Be used as big area back lighting source.



Product Attributes:

DC input voltage	12 / 24V
Output power	5A(Max) per channel, 12V: 180W; 24V: 360W
Size	211(L) X 40(W) X 30(H) mm
Remote distance	50 meters
Weight	310g



Product Attributes:

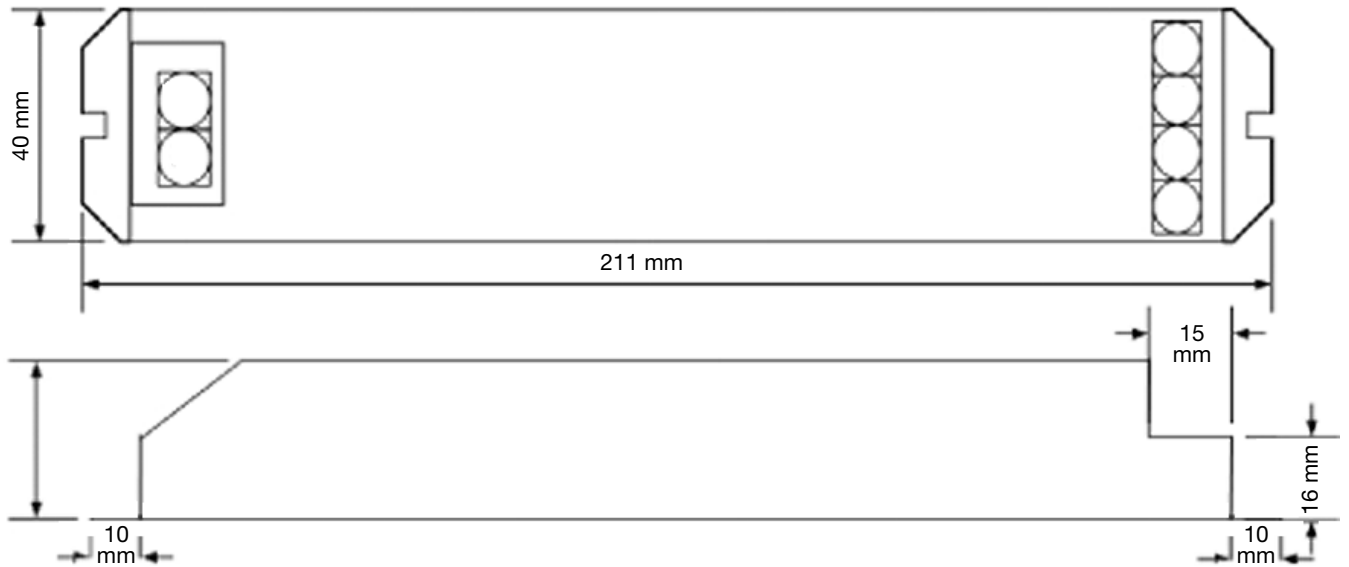
- A Mode
- B Pause
- C Speed up
- D Speed down

- A: Press it to change the mode to the next one
B: Press it to make the LED stays at the present color
Press it again then the color change moves on
C: Press it to make the change speed of the LED to a faster level (Default is fastest level)
D: Press it to make the change speed of the LED to a slower level.

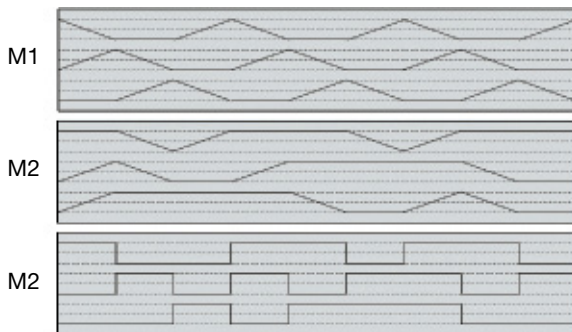


RGB Mini Controller

Dimensions

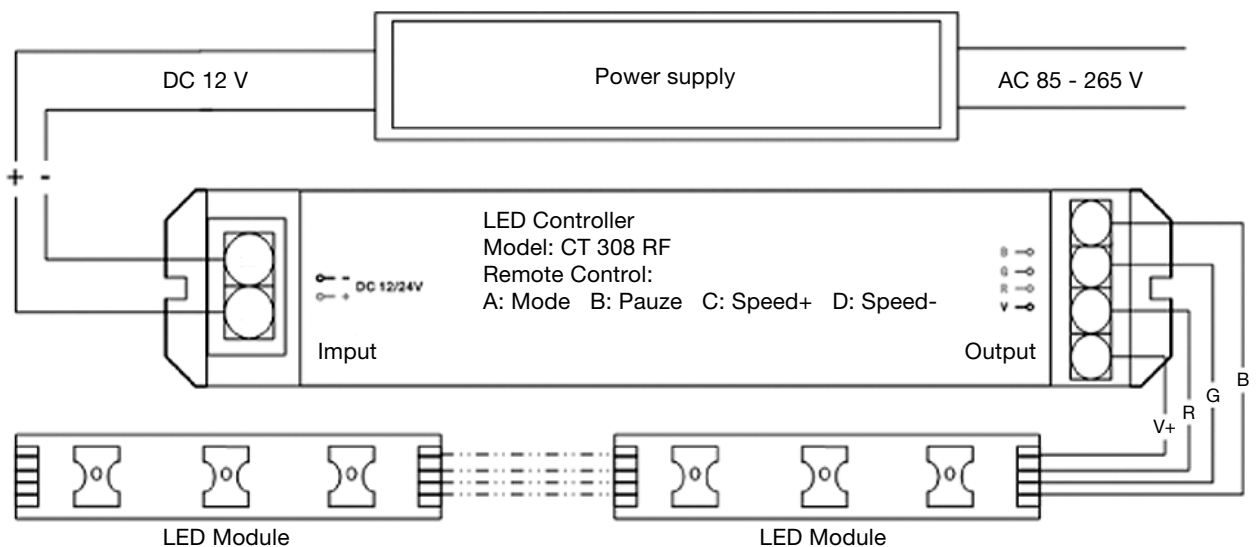


Change Mode Instruction



Mode Name	Mode Description
M1	Seven Color Flash
M2	Leaning Color Fade
M3	Full Color Fade
M4	Loop
M5-11	Seven Fixation Color

Wiring Instruction



Remark:

Can control various single color modules and RGB modules with the common anode.